



**REFERENCE :** KI0903

**SIZES :** U

**COMPOSITION :**

Main fabric : Polyester 1680D PU backing 100%polyester

Lining : Polyester 210D PU backing - 75 As internal lining.  
100%polyester

Mesh : Polyester puffy mesh On back panel + back side of the  
shoulder straps + back side of shoulder pad. 100%polyester

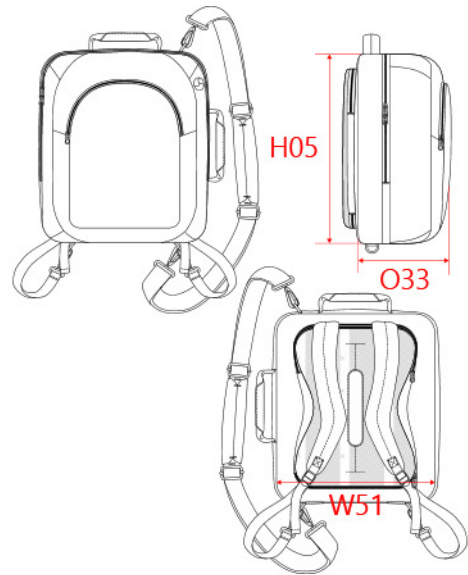
Material 2 : Synthetic fabric - Polyester with shiny PVC coating  
- 400 As decoration on top handle. 100%polyester - Polyvinyl  
chloride coating

**TECHNICAL DETAIL :**

PU backing

**ARTICLE WEIGHT :**

980 gr/pc



DESCRIPTION
<b>Français :</b> Sac à dos ordinateur
<b>English :</b> Laptop backpack
<b>Nederlands :</b> Laptop backpack
<b>Deutsch :</b> Laptop-Rucksack combo tasche
<b>Español :</b> Bolsa multi-función para ordenador
<b>Italiano :</b> Zaino cartella business convertibile
<b>Português :</b> Mochila para computador

COLORS	PANTONE SERIGRAPHIE
Black	Black

MEASUREMENT							
Description	U						
<b>H05</b> Hauteur totale / Total height	40						
<b>W51</b> Total width	34						
<b>O33</b> Deep of bottom part	19						

PACKING	
Box	10 pcs / box U => L:48cm W:38cm H:54cm GW:10,8kg NW:9,8kg